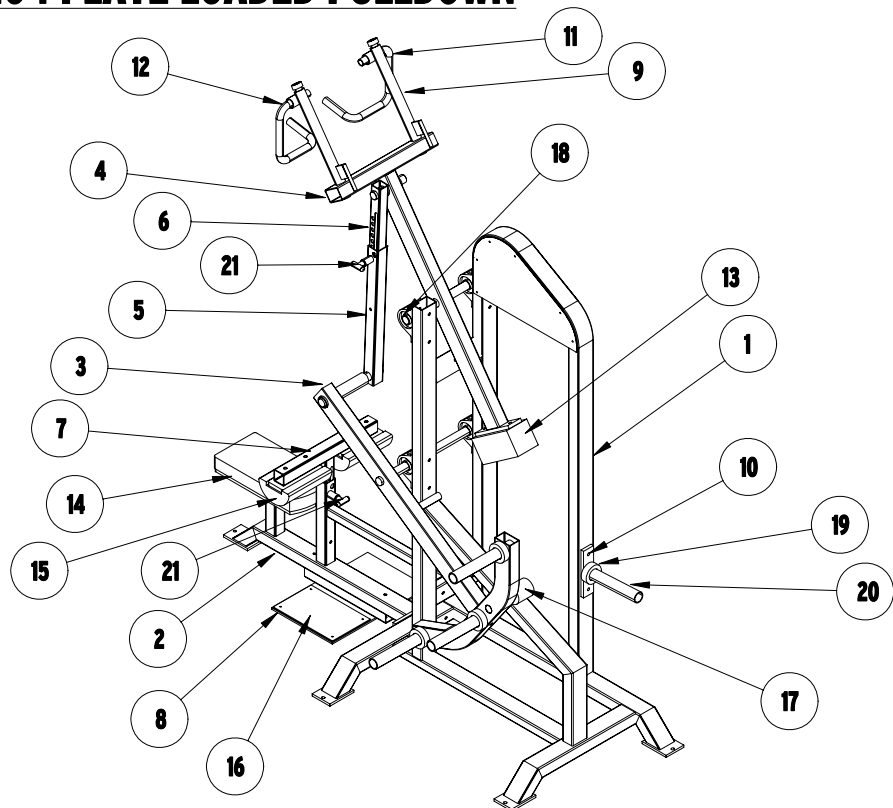
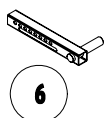
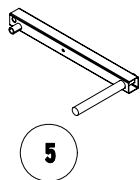
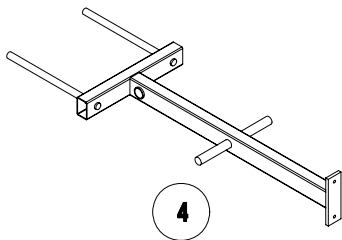
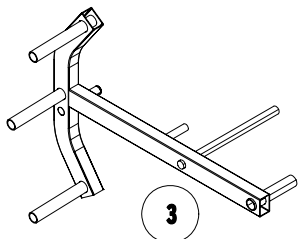
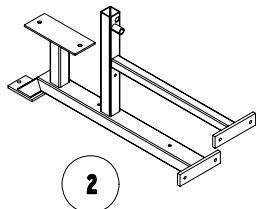
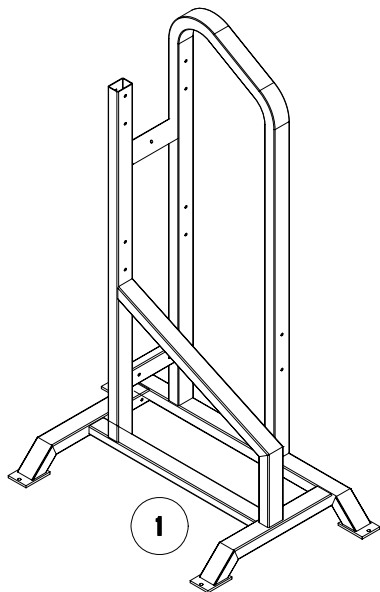


P-104 PLATE LOADED PULLDOWN



ITEM	PART DESCRIPTION	QT	ITEM	PART DESCRIPTION	QT	ITEM	PART DESCRIPTION	QT
1	WELD,FRM,POWER P-104	1	11	BENT,HANDLE(R) P/S-104/121	1	21	ASSY,POPPER PIN,0.5 x 1.5	2
2	WELD,FRM,EXERCISE P-104	1	12	BENT,HANDLE(L) P/S-104/121	1			
3	WELD,ARM,TORQUE P-104	1	13	CWEIGHT,TAP/VINYL DIP 38#	1			
4	WELD,ARM,EXERCISE P-104	1	14	UPH,PAD,SEAT/CHEST 7.25x12.75	1			
5	WELD,TELE,HANDLE P-104	1	15	UPH,PAD,HALFMOON 6x8.5	2			
6	WELD,ADJ,HANDLE P/S-104	1	16	PLAS,LINER,7.5x11.75 BLK	2			
7	WELD,ADJ,THIGH PAD P/S-104	1	17	RUB,STOP,2.75 OD x3 BLK	1			
8	WELD,FOOT PLATE P/S-104	1	18	BEAR,PILLOW,1.25 ID	4			
9	ASSY,UNIVERSAL P/S-104	2	19	PLAS,STEM DISK,3 ODx1 BLK	4			
10	WELD,WGHT PLATE STEM	1	20	PLAS,STEM TUBE 1.9 OD	4			

